

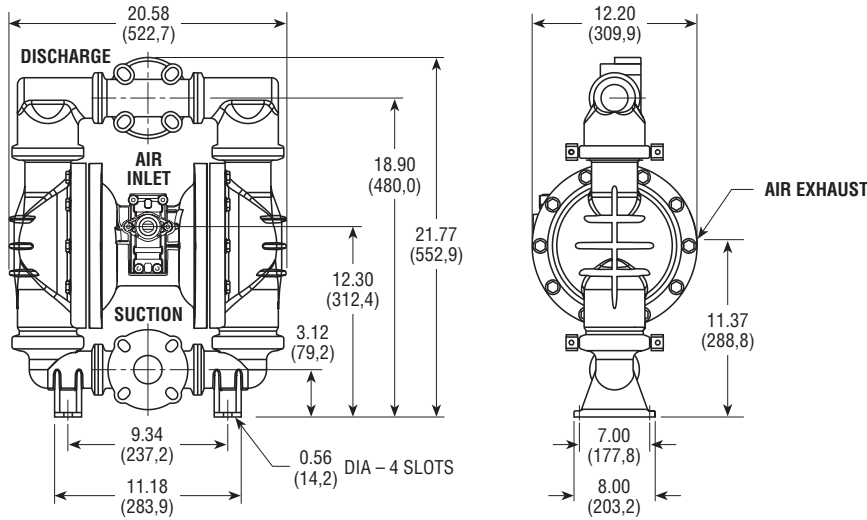
PERFORMANCE PLUS

1 1/2"

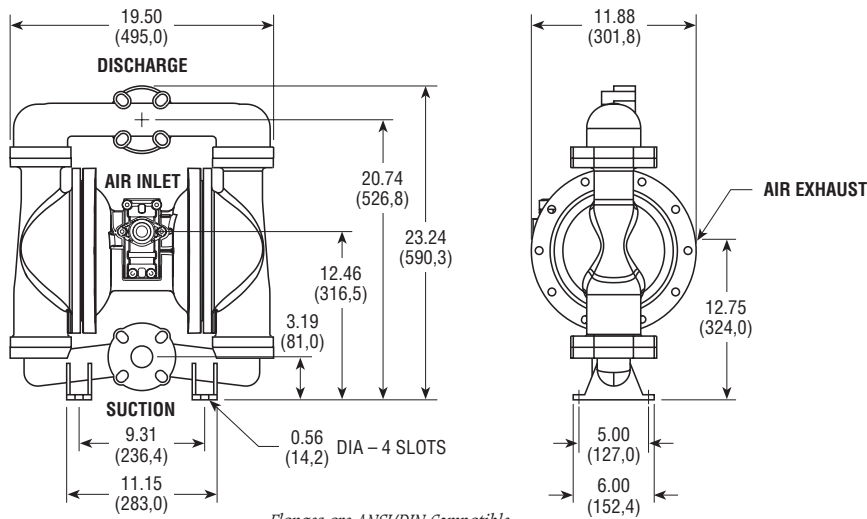
NEW



PLASTIC *Dimensions in inches and (mm).*



METALLIC



PLASTIC MODELS:

PB-15 (Polypropylene/Geolast®)	46 lbs. (20,8 kg.)
PT-15 (Polypropylene/PTFE)	46 lbs. (20,8 kg.)
PE-15 (Polypropylene/Santoprene®)	46 lbs. (20,8 kg.)
KT-15 (PVDF/PTFE)	65 lbs. (29,4 kg.)
KE-15 (PVDF/Santoprene®)	65 lbs. (29,4 kg.)

METALLIC MODELS:

AB-15 (Aluminum/Geolast®)	60 lbs. (27,2 kg.)
AE-15 (Aluminum/Santoprene®)	60 lbs. (27,2 kg.)
AT-15 (Aluminum/PTFE)	60 lbs. (27,2 kg.)
SP-15 (316 Stainless Steel/PTFE)	133 lbs. (60 kg.)
SE-15 (316 Stainless/Santoprene®)	133 lbs. (60 kg.)
SB-15 (316 Stainless/Geolast®)	133 lbs. (60 kg.)

See page 4 for fastener and valve seat material.

SPECIFICATIONS:

- Capacity:**
Adjustable 0 to 130 GPM (492 liters/min.)
- Maximum Temperature:**
KT-15 Model 200°F (93°C)
Other Plastic Models 150°F (66°C)
Metallic Models 200°F (93°C)

Maximum Air Pressure:
All Models 120 PSI (8,2 bar)

Minimum Air Pressure:
All Models 20 PSI (1,3 bar)

Dry Lift:
Models w/PTFE balls 10 ft. (3 meters)
Other Models 15 ft. (4,5 meters)

Maximum Solids: 1/4" (6,4 mm)

Air Supply:
Inlet 3/4" NPT/BSP Female
Outlet 3/4" NPT/BSP Female
• *Muffler supplied*

Fluid Inlet/Discharge: . . 1-1/2" Flange (38,1 mm)
• *Flanges are ANSI and DIN compatible*
• *Threaded companion flanges available*

PERFORMANCE CURVE

