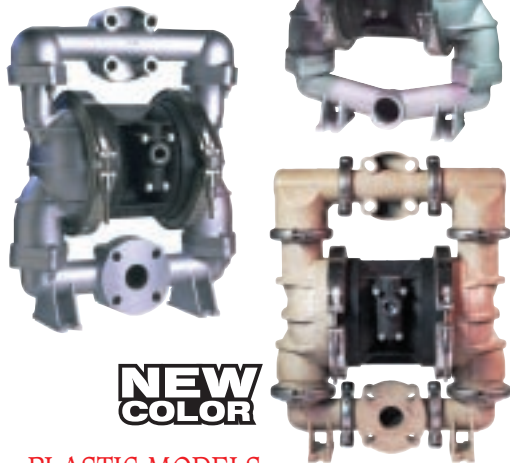


# 2"

## BAND CLAMP SERIES



**NEW COLOR**

### PLASTIC MODELS:

- NC-20 (Polypropylene/Geolast®) 54 lbs. (23,6 kg.)
- BK-20 (Polypropylene/PTFE) 54 lbs. (23,6 kg.)
- KN-20 (PVDF/PTFE) 68 lbs. (30 kg.)

### METALLIC MODELS:

- AL-20 (Aluminum) 61 lbs. (27,7 kg.)
- ST-20 (316 Stainless Steel) 131 lbs. (59 kg.)

- Optional elastomers available.
  - Glass Filled Polypropylene
  - *last*® properties are similar to that of Nitrile (Buna-N)
- See page 4 for complete model listing.

### SPECIFICATIONS:

Capacity:  
Adjustable . . . 0 to 150 GPM (569 liters/min.)

Maximum Temperature:  
KN-20 Model. . . . . 200°F (93°C)  
Other Plastic Models. . . . . 150°F (66°C)  
Metallic Models. . . . . 200°F (93°C)

Maximum Air Pressure:  
All Models. . . . . 100 PSI (6,8 bar)

Minimum Air Pressure:  
All Models. . . . . 20 PSI (1,3 bar)

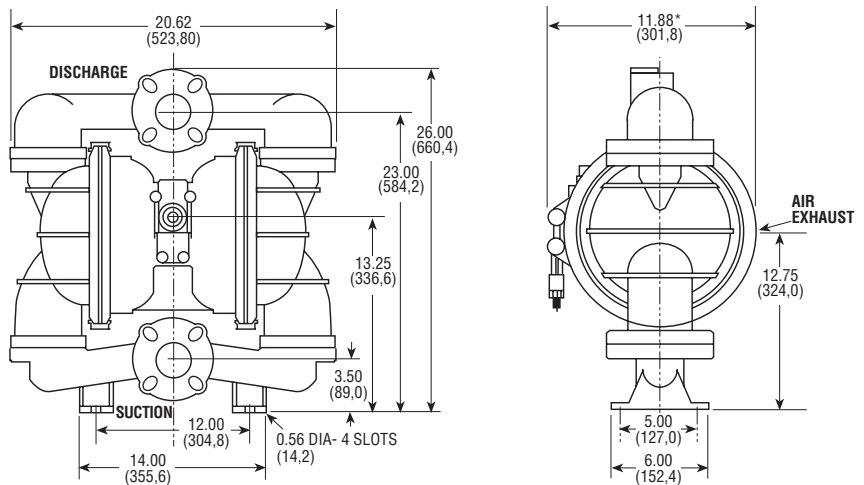
Dry Lift Capacity @ 100 PSI (6,8 bar):  
Models w/PTFE balls . . . . . 10 ft. (3 meters)  
Other Models . . . . . 15 ft. (4,5 meters)

Maximum Solids: . . . . . 1/4" (6,4 mm)

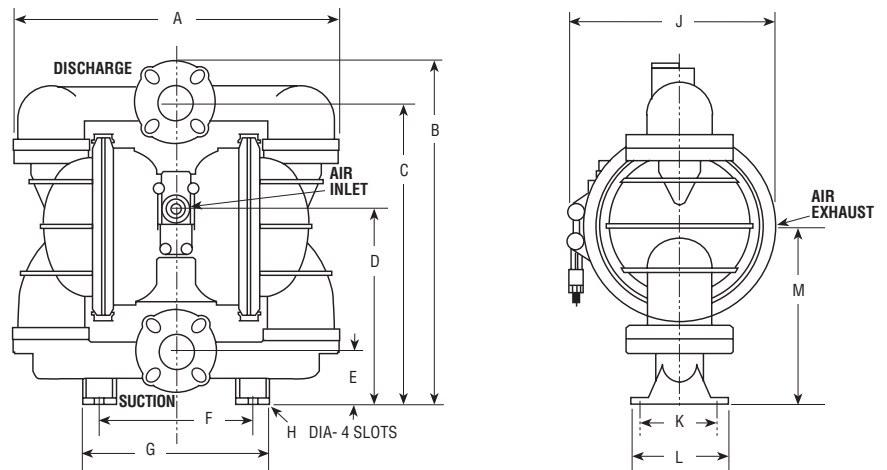
Air Supply:  
Inlet . . . . . 3/4" NPT Female  
• Air flow control valve supplied, 3/4" NPT or 3/4" BSP Female  
Outlet. . . . . 3/4" NPT Female  
• Muffler supplied

Fluid Inlet/Discharge: . . . . . 2" (51mm) Flange  
• For optional 2" (51mm) NPT Female (aluminum only) add -P28 to Model No. For optional BSP threads (aluminum only) on -P28 models, add -P15 to Model No.  
• Flanges are ANSI and DIN compatible  
• Flange mounting requires (4) bolts: 5/8" x 4-1/2"  
• Threaded companion flanges available

### PLASTIC *Dimensions in inches and (mm). Ports shown facing front for dimensional purposes.*



### METALLIC *flange or threaded*



\*Approximate Dimension with Muffler— 14.88 (378.0)

MODEL	DIMENSIONS Inches / (mm)											
SIZE (Inlet/Outlet)	A	B	C	D	E	F	G	H	J	K	L	M
All Flanged 2" Flange 2" Flange	19.50 (495.0)	24.62 (625.3)	21.62 (549.2)	13.25 (336.6)	3.50 (89.0)	12.00 (304.8)	13.85 (351.5)	0.56 (14.2)	11.88 (301.8)	5.00 (127.0)	6.00 (152.4)	12.75 (324.0)
AL-20-P28 Threaded 2" NPT 2" NPT	19.50 (495.0)	26.10 (663.0)	24.75 (629.0)	13.25 (336.6)	1.88 (47.6)	10.06 (255.5)	12.00 (304.8)	0.56 (14.2)	11.88 (301.8)	5.00 (127.0)	6.00 (152.4)	12.75 (324.0)

### PERFORMANCE CURVE

