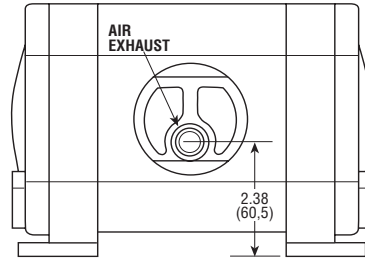


# 1/4"

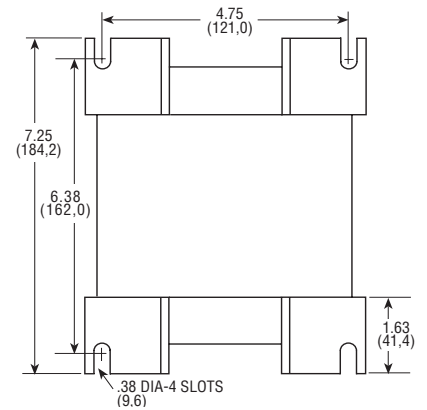
# BOLTED SERIES



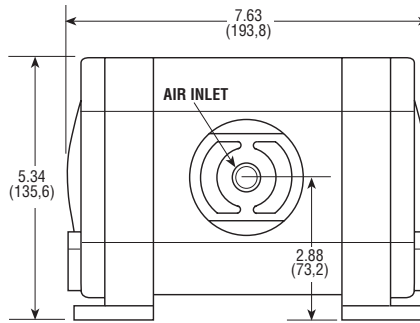
### PLASTIC *Dimensions in inches and (mm).*



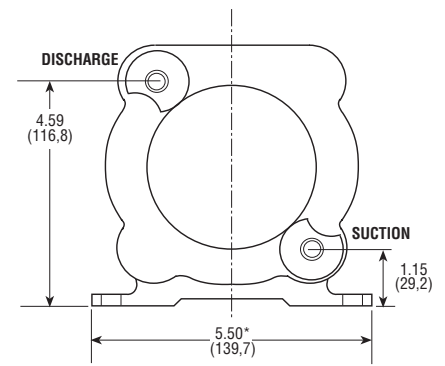
Rear View



Footprint



Front View



Side View

\*Approximate Dimension with Muffler—06.18 (157.0)

### PLASTIC MODELS:

|  |                  |
|--|------------------|
| <b>NC-025</b> (Polypropylene/Geolast®)     | 5 lbs. (2,3 kg.) |
| <b>BK-025</b> (Polypropylene/PTFE)         | 5 lbs. (2,3 kg.) |
| <b>RD-025</b> (Nylon/PTFE)                 | 5 lbs. (2,3 kg.) |
| <b>RD-025B</b> (Nylon/Geolast®/PTFE)       | 5 lbs. (2,3 kg.) |
| <b>CN-025</b> (Conductive Nylon/PTFE)      | 7 lbs. (3,2 kg.) |
| <b>CN-025B</b> (Conductive Nylon/Geolast®) | 7 lbs. (3,2 kg.) |
| <b>KN-025</b> (PVDF/PTFE)                  | 7 lbs. (3,2 kg.) |

• Geolast® properties are similar to that of Nitrile (Buna-N)  
See page 4 for fastener and valve seat material.

### SPECIFICATIONS:

#### Capacity:

Adjustable . . . . . 0 to 4.3 GPM (16,3 liters/min.)

#### Maximum Temperature:

KN-025 Model. . . . . 200°F (93°C)  
Other Models. . . . . 150°F (66°C)

#### Maximum Air Pressure:

All Models . . . . . 100 PSI (6,8 bar)

#### Minimum Air Pressure:

All Models . . . . . 20 PSI (1,3 bar)

#### Dry Lift Capacity @ 100 PSI (6,8 bar):

All Models . . . . . 17 ft. (5 meters)

Maximum Solids: . . . . . 1/16" (1,6 mm)

#### Air Supply:

Inlet . . . . . 1/4" NPT Female  
Outlet. . . . . 1/4" NPT Female

• Muffler supplied

Fluid Inlet/Discharge: . . . . . 1/4" NPT

• BSP threads available upon request

• For optional dual manifold inlet/outlet, add -P25 to Model No.

### PERFORMANCE CURVE *(Based on water-flooded suction)*

