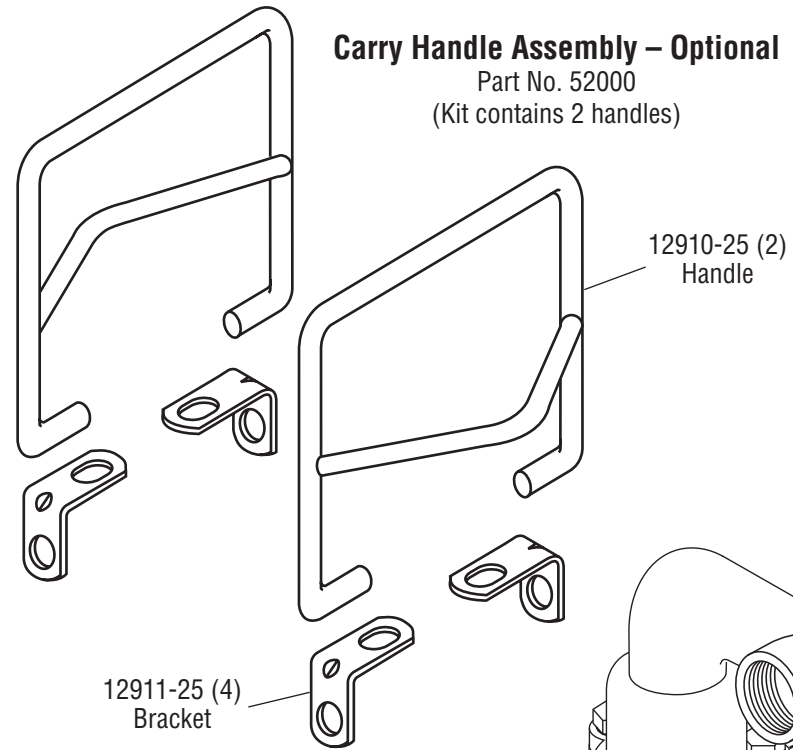
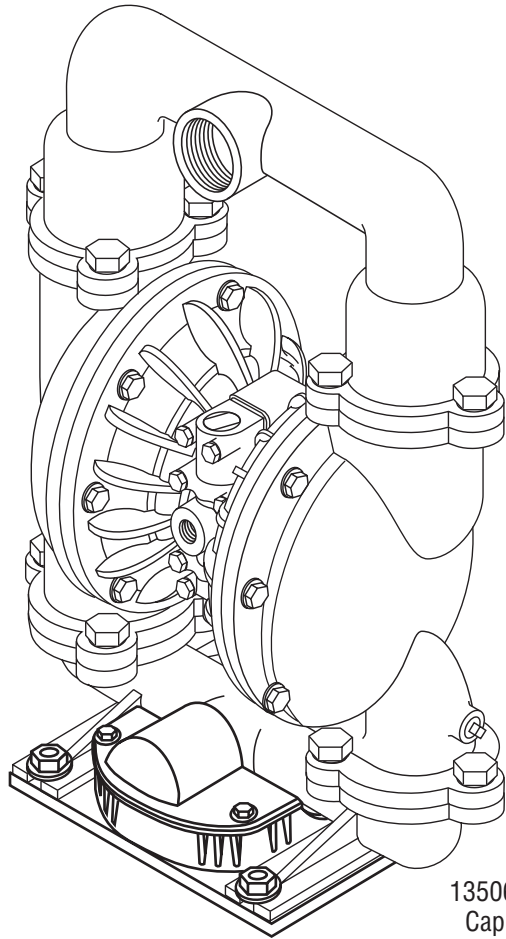


3" PUMP ACCESSORIES

Strainer Base & Carry Handles

Carry Handle Assembly – Optional
 Part No. 52000
 (Kit contains 2 handles)



12910-25 (2)
 Handle

12911-25 (4)
 Bracket

13507-20 (1)
 Cap, Back

12536-25 (4)
 5/16 x 3/4 Bolt

12310-25 (4)
 Washer

13506-20 (1)
 Cap, Front

13305-20 (1)
 Base

12602-25 (4)
 3/8 Nut

12303-25 (4)
 3/8 Washer

12534-25 (4)
 3/8 x 1-1/4 Bolt

Strainer Base Assembly – Optional
 Part No. 53000

